

ASSEMBLY INSTRUCTIONS

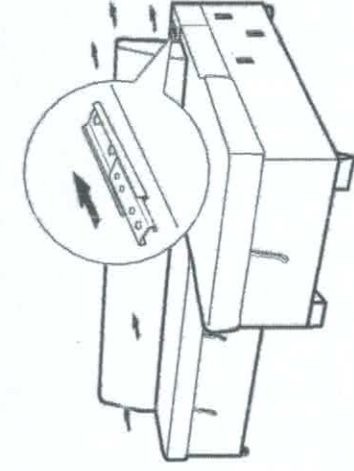
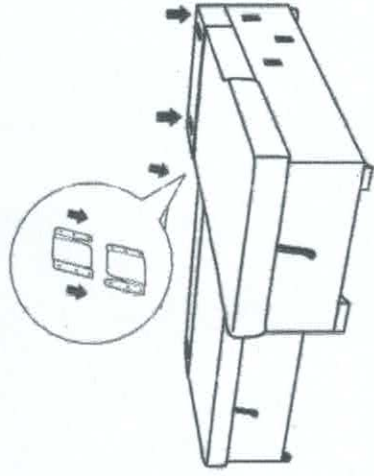
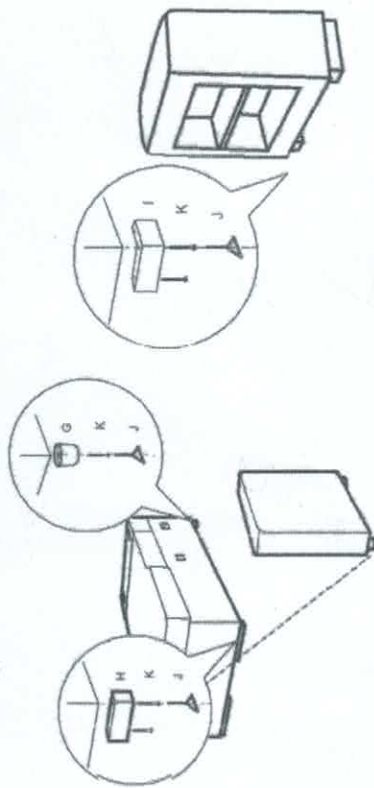
A : CHAISE 1 PC	B : LOVESEAT 1 PC	C : BACKREST 2 PCS	D : ARM 1PC	E : BIG ARM 1PC	F : BACK CUSHION 3 PCS	G : LEG 2 PCS	H : LEG 4 PCS	I : LEG 2 PCS	J : SCREWDRIVER 1PC	K : SCREW 18 PCS

Please be sure to take out the legs and parts list from inside the box or zip underneath from the sofa.

Step 1: FIX THE LEGS TO THE CHAISE AND ARMS.

Step 2: FIX THE CHAISE TO THE LOVESEAT.

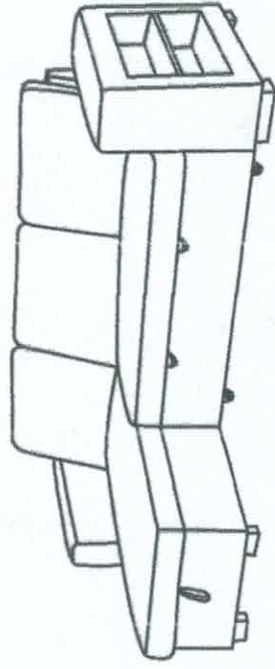
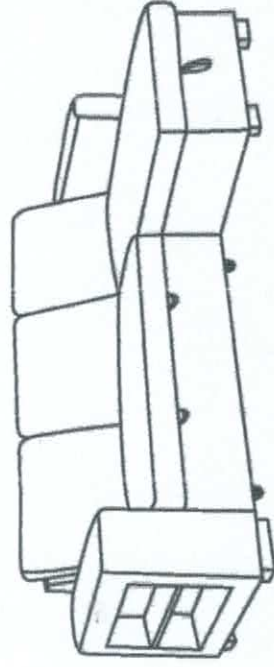
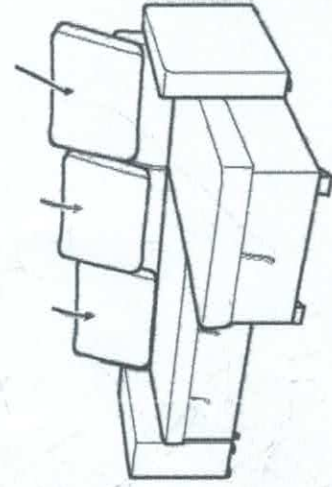
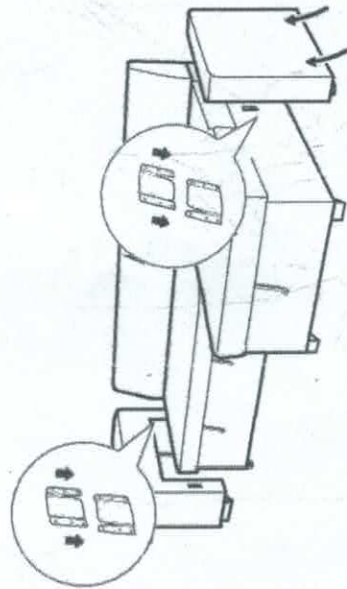
Step 3: FIX THE BACKRESTS TO LOVESEAT & CHAISE.



Step 4: FIX THE ARMS TO THE SOFA

Step 5: PUT THE PILLOWS TO THE SOFA.

FINISH !



IT IS AVAILABLE FOR PEOPLE TO CHANGE THE CHAISE DIRECTION FROM LEFT TO RIGHT.